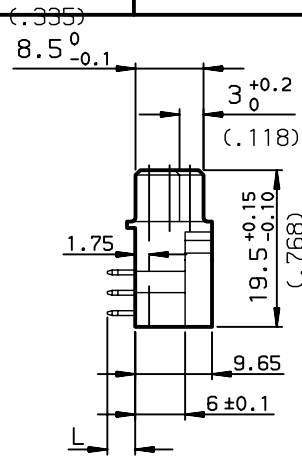
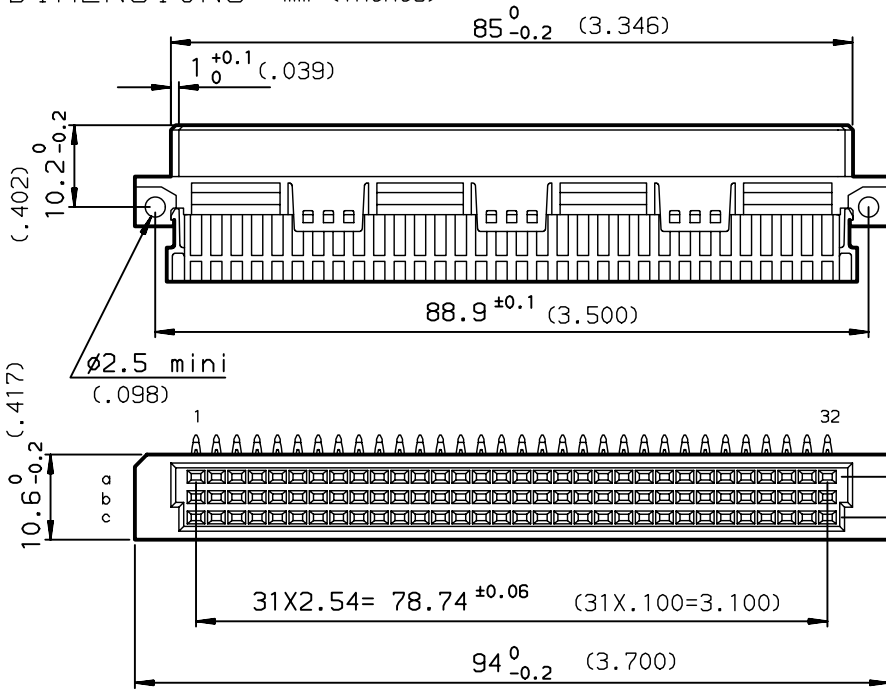
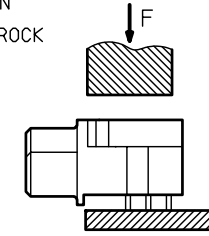


DIMENSIONS mm (inches)

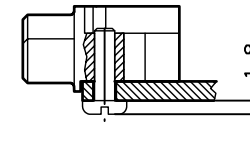


METHOD OF INSERTION
 ON THE PCB = FLAT ROCK

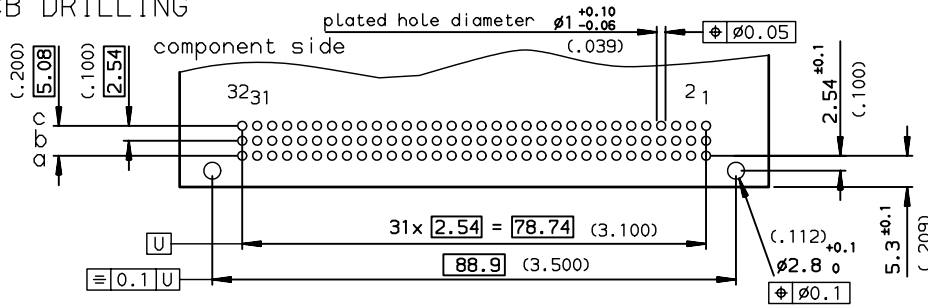


Recommended accessory :

Loaded connectors with less than 64 cts
 require fixings with self-winding screws
 part number : 4514327



PCB DRILLING



PART NUMBER	8609			89		7		5	
PIN OUT									
rows a-b-c				3				96	
rows a-c				4				64	
NUMBER OF CONTACTS									
TERMINATION									
L = 2.6 ±0.20 (.102)									94
PERFORMANCE CLASS									
NFC 93429 HE 1101									4
NFC 93429 HE 1102									5
NFC 93429 HE 1103									6
TERMINATION TYPE									
TIN LEAD									000E3
LEAD FREE									E3LF

GENERAL CHARACTERISTICS AND ROHS INFORMATIONS:

SEE DRAWING C-8609-0000C

European Views

www.fciconnect.com		surface	tolerance std	projection	mm	
		ISO 1302	ISO 406 ISO 1101			
TOLERANCES UNLESS OTHERWISE SPECIFIED						
Dr	TARON	1997/03/11	ANGULAR	0.X	±0.1	size
Eng	TARON	1997/03/11	LINEAR	0.XX	±0.1	A3
Chr	LEGARE	1997/03/11	0.XX' ±2'	0.XXX	±0.1	Scale
Appr	LEGARE	1997/03/11	Product family	DIN 8609		1.5
			Spec ref		ECN LS06-0095	
FCI		RIGHT ANGLE FEMALE - STYLE HE11			dwg no	
		PRESS FIT			C-8609-0576	
catalog no					Rev. D	
		CUSTOMER			sheet 1 of 1	

rev	ecn no	dr	date
B	-	ROU	1999/04/09
C	LS05-004	JTA	2005/02/28
D	LS06-0095	LGO	2006/07/13
-	-	-	-
-	-	-	-
-	-	-	-